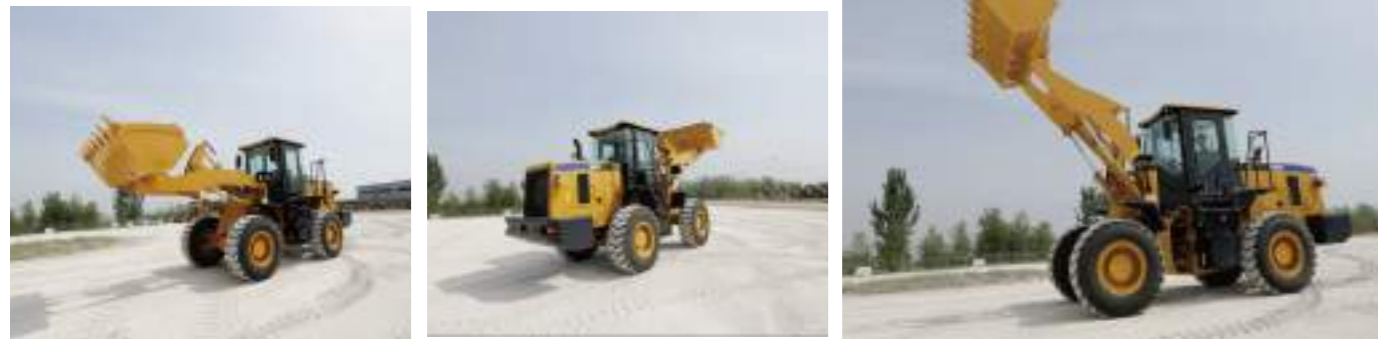


## Machine Applications

- Multiple work tools are available for selection



## Work Tool Options



Standard bucket 1.7m³



Bucket 1.5m³



Bucket 2.5m³



QC strengthen log fork



QC standard bucket 1.7m³



Sand bucket 1.5m³



Bigger capacity log fork



Strengthen log fork



Coal bucket 2.5m³



Standard bucket BOCE1.5m³



Hay fork



QC coal bucket



QC hay fork



Log Gripper

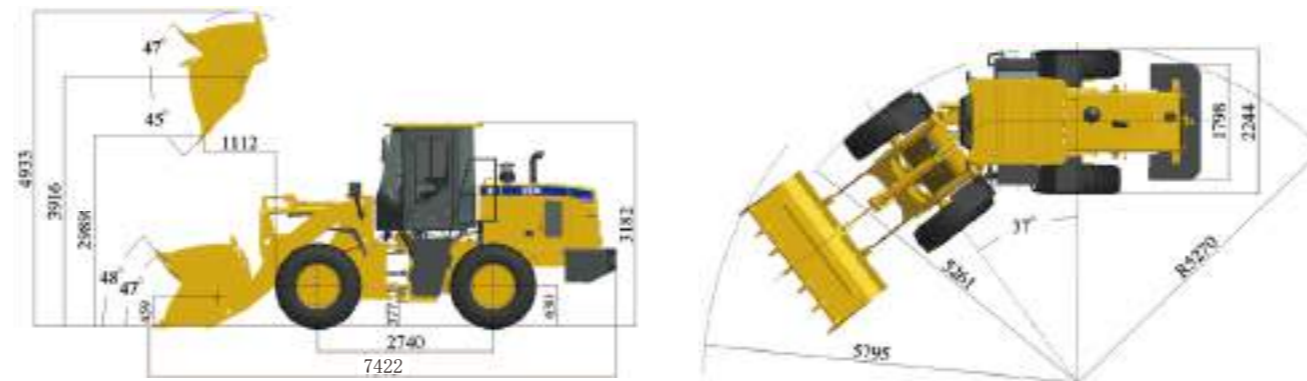


Pallet Fork

## Main Specifications

Items	SEM636D	Items	SEM636D
<b>Main Specifications</b>		<b>Engine</b>	
Rated Load	kg 3000	Model	Weichai WP6G125E22
Operating Weight with Standard Bucket	kg 10133	Rated Power	kW 92
Bucket Capacity	m³ 1.5-2.5	Rated Speed	r/min 2200
Wheel Base	mm 2740	Displacement	L 6.754
Overall Dimension	mm 7422*2354*3182	<b>Implement Hydraulic</b>	
Operating Specifications		Implement System Type	Gear pump
Breakout Force	KN 113	Boom Raise Time	s 4.65
Dump Clearance	mm 2989	Hydraulic Cycle Time	s 8.34
Articulated Angle	37±1	System Pressure Setting	Mpa 18
Transmission		Brake System	
<b>Transmission Type</b>	Countershaft,power shift	<b>Service Brake</b>	Dry&caliper,air to oil control
Transmission Gears		Parking Brake	"Drum type shoe brake, spring applied & oil released"
Torque Converter Type	Single stage 3 elements	<b>Steering System</b>	
Maker & Type	SEM TR100	System Type	Shared Flow
Forward I/Reverse I	7.9/9.7	Steering PumpType	Mpa Gear pump
Forward II/Reverse II	14/31	System Pressure Setting	14
Forward III/Reverse III	25/NA	<b>Tires</b>	
Forward IV/Reverse IV	39/NA	Size	17.5-25
<b>Axle</b>		Type	PR
Main Drive Type	Spiral bevel gear,single stage	Layer	12
Final Drive Reduction Type	Planetary type,single stage	Txtured Type	L-3
Rear - Oscillating +/-	±12		

## Machine Dimensions



► Note: the above dimensions are based on the standard configuration.

Caterpillar (Qingzhou) Ltd. Address: No.12999 Nanhuan Road,Caterpillar Industrial Park, Qingzhou City,Shandong Province, Zip Code: 262500 P.R.China

© Materials and specifications are subject to change without notice. Featured machines in photos may include optional equipment. See your SEM dealer for available options.  
© 2017 Caterpillar (Qingzhou) Ltd. All Rights Reserved. SEM Machinery, SEM, their respective logos, trade dress as well as corporate and product identity used herein, are trademarks of Caterpillar (Qingzhou) Ltd. and may not be used without permission.

Version: Version: October 2017 - Weichai II

# SEM636D Wheel Loader



## SEM636D

### Product Advantage

- High Productivity
- Best-in-class Reliability and Durability
- Excellent Fuel Economy
- Outstanding Operator Comfort

Website <http://www.semmachinery.com>





## Weichai Engine

- The air cleaner provides machine reliability even in the most severe applications



## Efficient Hydraulic System

- Single pump flow shared system.
- More efficiency and larger breakout force
- Perfect match between machine speed and hydraulic system to achieve high efficiency
- Joystick hydraulic control for easy and precise control



## Operator Station

- Premium operator station with big space and superior visibility
- Patented MAC mount provides less noise and more comfort
- Adjustable suspension seat
- Sliding side window and AC with fresh air circulation provide operator comfort
- Joystick control is flexible and convenient
- Adjustable air flow outlet delivers better defrost performance



## Reliable Drivetrain

- Countershaft transmission with upgraded core components provides high reliability
- Large rim-pull in 1st gear and higher speed in 2nd gear provide high efficiency for load and carry applications
- Clutch cutoff selection switch ensures stable and safe operation
- Simply Torque convert and efficiency is high
- Shift smooth and comfortable



## Advanced Cooling System

- High efficiency cooling package
- Anti vibration design ensure high reliability and durability even in severe application



## Solid Structure

- Structures undergo Finite Element Analysis (FEA) and On Machine Stress Analysis (OMSA) to ensure durability
- Performance Series (PS) buckets improve loading capability



## Serviceability

- System pressure test ports are standard
- Big angle engine hood side open door provides easy service access
- Torque converter is isolated from transmission making it easy to service



## Safety

- Safety design complies with regulatory requirements
- Caterpillar Production System (CPS) leveraged in manufacturing process
- 3-point touching design provides convenient operator entering to cabin
- High decibel backup alarm make machine running more safety

